

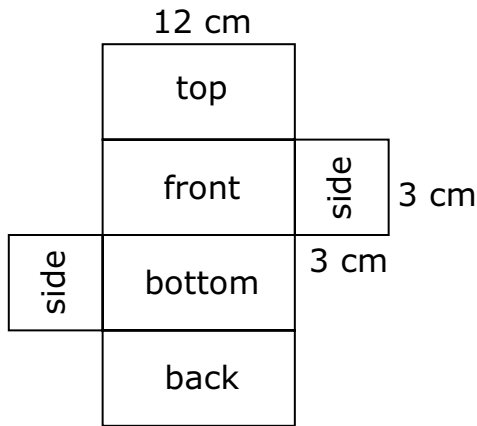
LESSON 30: Surface Area

Homework

Name \_\_\_\_\_ Date \_\_\_\_\_

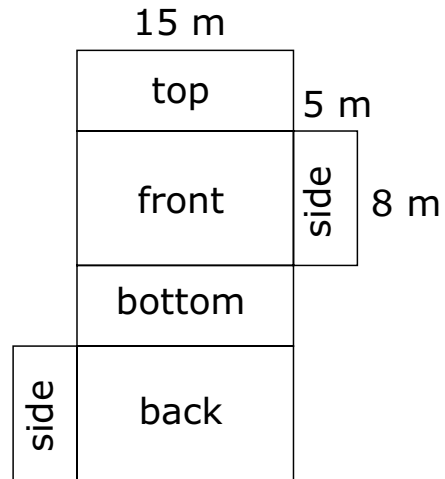
**Directions:** Find the surface area of each prism.

1.



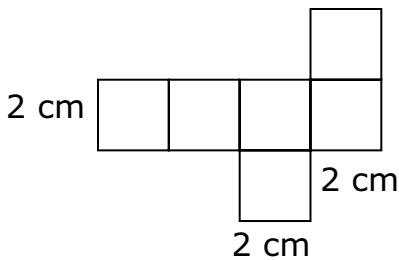
Area of top \_\_\_\_\_  
 Area of front: \_\_\_\_\_  
 Area of side: \_\_\_\_\_  
 Total area: \_\_\_\_\_

2.



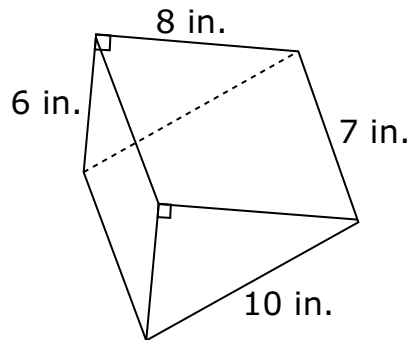
Area of top: \_\_\_\_\_  
 Area of front: \_\_\_\_\_  
 Area of side: \_\_\_\_\_  
 Total area: \_\_\_\_\_

3.



\_\_\_\_\_

4.



\_\_\_\_\_

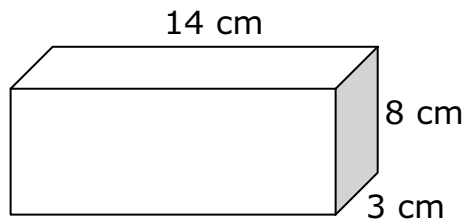
LESSON 30: Surface Area

**Homework**

.....  
**Name** \_\_\_\_\_ **Date** \_\_\_\_\_

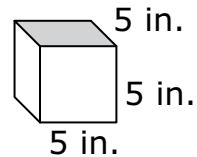
**Directions:** Find the surface area of each prism.

**5.**



\_\_\_\_\_

**6.**



\_\_\_\_\_

**7.** A rectangular prism has a length of 8 m, a width of 2 m, and a height of 3 m. What is the surface area of the prism?

\_\_\_\_\_

**8.** What is the surface area of a rectangular prism with a length of 5 cm, a width of 4 cm, and a height of 7 cm?

\_\_\_\_\_

**9.** Fauna is painting a rectangular prism for a project. The length of the prism is 3 inches, the width is 8 inches, and the height is 5 inches. How many square inches will she be painting?

\_\_\_\_\_

**10.** Tyleek has a box that he is covering with construction paper. The box is in the shape of a cube. The squares that make up the cube have a side length of 10 inches. What is the surface area of the cube?

\_\_\_\_\_